

## WALL PACK BG003S/L

## LED WALL PACK

### PRODUCT DESCRIPTION:

Fixture is designed as the base and luminaire cavity two parts. Luminaire cavity waterproof & dustproof, proper as individual part to replace the HPS wallpack cavity.

Keep traditional fixture structure design, simple, good heat dissipation with long life span. Lens has glass & PC optional.

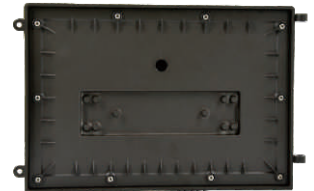
### APPLICATIONS

Indoor/Outdoor wall-mount applications. Building facade. Retail, commercial, industrial exteriors.



### Specification Features

- Rugged, die-cast housing with advanced thermal management system ensures reliability and durability.
- Aluminum PCB with high thermal conductivity as chip carrier for faster cooling.
- Luminaire comes standard mounting plate for quick and easy installation.
- All adopt superior stainless steel bolts.
- Emergency battery back-up optional.
- Sensor accessory available: occupancy sensing with daylight cut-off and photocell (must order with wall pack extension accessory).

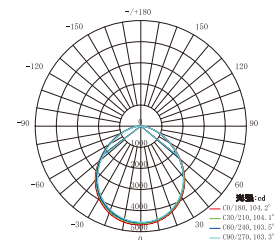


### Photometrics

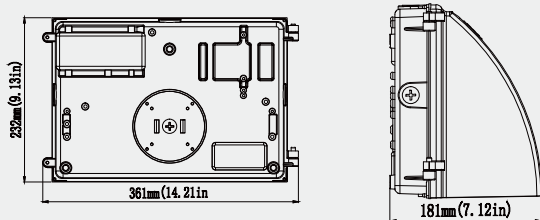
Catalog No.	3000-5700K	
	Rated Wattage (W)	Delivered Lumens (lm)
LEDBG30W003S	30±5%	3900
LEDBG40W003S	40±5%	5200
LEDBG50W003S	50±5%	6500
LEDBG60W003S	60±5%	7800
LEDBG80W003S	80±5%	10400
LEDBG100W003S/L	100±5%	13000
LEDBG120W003S/L	120±5%	15600
LEDBG135W003L	135±5%	17500

	Center Beam fc	Beam Width	
17.0ft	20.9 fc	42.4 ft	44.9 ft
34.0ft	5.23 fc	84.8 ft	89.8 ft
51.0ft	2.32 fc	127.2 ft	134.6 ft
68.0ft	1.31 fc	169.6 ft	179.5 ft
85.0ft	0.84 fc	212.0 ft	224.4 ft
102.0ft	0.58 fc	254.4 ft	269.3 ft

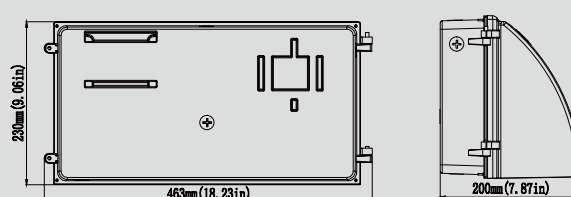
■ Vert. Spread: 102.6°  
■ Horiz. Spread: 105.7°



## Product size



30W-100W



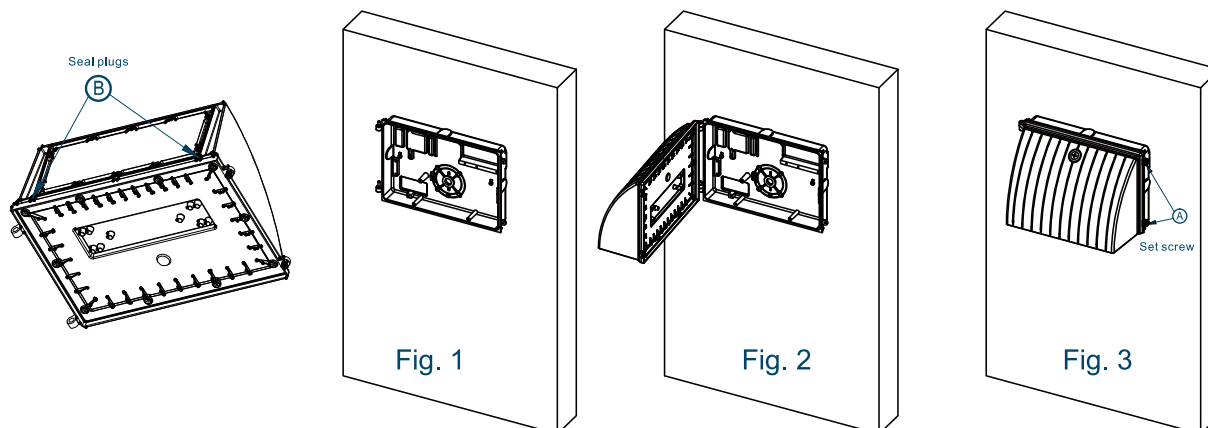
100W-150W

## LED Wall Pack light Parameter table-DLC Premium

Item description	LEDBG30W003S	LEDBG40W003S	LEDBG50W003S	LEDBG60W003S	LEDBG80W003S	LEDBG100W003S	LEDBG100W003L	LEDBG120W003S	LEDBG120W003L	LEDBG135W003L
Input voltage [VAC]	120-277	120-277	120-277	120-277	120-277	120-277	120-277	120-277	120-277	120-277
Input current [A]	0.10-0.27	0.13-0.36	0.16-0.45	0.20-0.54	0.26-0.72	0.33-0.90	0.33-0.90	0.40-1.09	0.40-1.09	0.45-1.22
Input wattage [W]	< 30	40±5%	50±5%	60±5%	80±5%	100±5%	100±5%	120±5%	120±5%	135±5%
Input frequency [Hz]	50/60	50/60	50/60	50/60	50/60	50/60	50/60	50/60	50/60	50/60
Power factor	≥0.90	≥0.90	≥0.90	≥0.90	≥0.90	≥0.95@220V	≥0.95@220V	≥0.95@220V	≥0.95@220V	≥0.95@220V
Voltage [V]	72	72	72	36	36	36	36	36	36	36
Current(reference) [A]	0.38	0.5	0.61	1.5	2.0	2.5	2.5	3.0	3.0	3.42
Wattage(reference) [W]	< 27	36±5%	44±5%	54±5%	72±5%	90±5%	90±5%	108±5%	108±5%	123±5%
Power efficiency	90%	90%	90%	90%	92%	92%	92%	92%	92%	92%
Luminous flux [Lm]	3900@5000K	5200@5000K	6500@5000K	7800@5000K	10400@5000K	13000@5000K	13000@5000K	15600@5000K	15600@5000K	17500@5000K
Colour temperature [K]	3000-5700	3000-5700	3000-5700	3000-5700	3000-5700	3000-5700	3000-5700	3000-5700	3000-5700	3000-5700
Colour rendering index [Ra]	70	70	70	70	70	70	70	70	70	70
Lumen maintenance(2000h) [%]	L90 > 36000	L90 > 36000	L90 > 36000	L90 > 36000	L90 > 36000	L90 > 36000	L90 > 36000	L90 > 36000	L90 > 36000	L90 > 36000
Average life [h]	> 54000	> 54000	> 54000	> 54000	> 54000	> 54000	> 54000	> 54000	> 54000	> 54000
Net weight [Kg]	3.1Kg/套	3.1Kg/套	3.1Kg/套	3.2Kg/套	3.3Kg/套	3.3Kg/套	4.2Kg/套	3.3Kg/套	4.2Kg/套	4.3Kg/套
Gross weight [Kg]	3.6Kg/套	3.6Kg/套	3.6Kg/套	3.7Kg/套	3.8Kg/套	3.8Kg/套	4.8Kg/套	3.8Kg/套	4.8Kg/套	4.9Kg/套
Dimensions [in]	14.21*9.13*7.12in	14.21*9.13*7.12in	14.21*9.13*7.12in	14.21*9.13*7.12in	14.21*9.13*7.12in	14.21*9.13*7.12in	18.23*9.06*7.87in	14.21*9.13*7.12in	18.23*9.06*7.87in	18.23*9.06*7.87in
Ambient Temperature [ °C ]	-25°C-40°C									
LED chip	CREE2835									
Material	ADC12									
Ambient temperture	-40°C-85°C RH10%-95%									

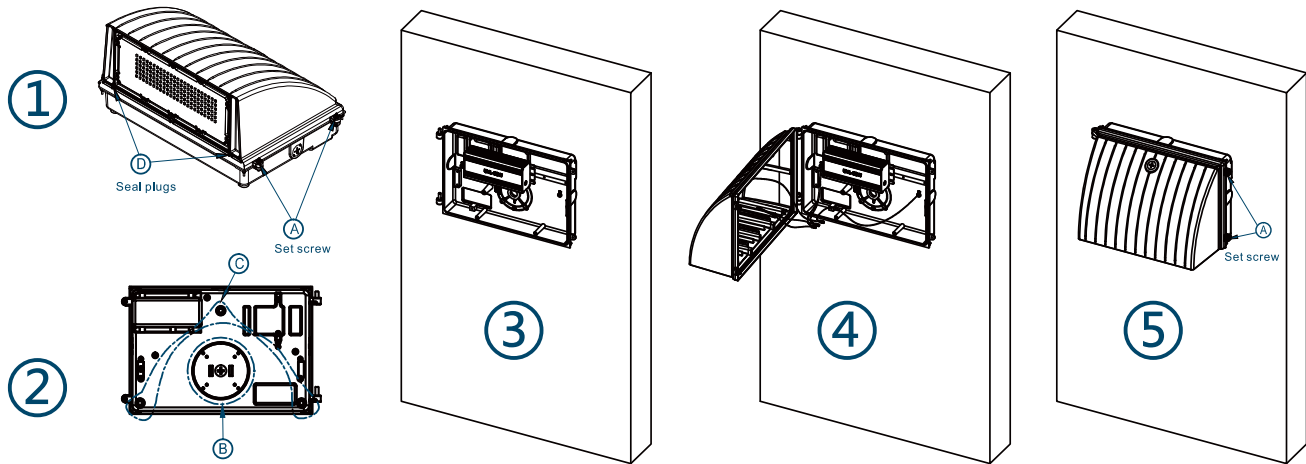
## INSTALLATION:

### Replacing luminaire cavity installation



1. Disassembly the old luminaire cavity and keep the old base on the wall (Fig. 1)
2. Fix the new luminaire cavity on the base, connect wires then close the cavity with two fixed screws (Fig. 3 A)
3. Pull out the two seal plugs if outdoor installation.

## Complete wall pack installation



1. Open the fitting by unscrewing the two screws located by side of wall pack (Fig. A), disconnect the wires between the luminaire cavity and base.
2. Drill hoels on required mounting points on the wall (Fig B/C), mount wallpack base by securing mounting screws. (Fig 1)
3. Connect the supply wires to wall pack base wires.
4. Connect the cavity one side on the base, fix the wallpack with two screws after connecting inner wires. (Fig 2)
5. Pull out the two seal plugs if outdoor installation. (Fig 3 D)

### **WARNING!**

- 1、 When the lamp input terminal is connected, the grounding wire must be connected to avoid the lamp early failure and electricity safety.
- 2、 When the ambient temperature is lower than -40°C, the lamp will be affected. When the ambient temperature is higher than 50°C, the working life of the lamp power supply will be shortened, and the pearl light decline of LED lamp will accelerate.
- 3、 Must power off during the maintenance operation, and keep following the safe operation mode.