

LED WALL PACK LIGHT 001/001B SERIES

Bg001

DESCRIPTION

Intergrated simple structure for IP65 and easy replacement. 2.Die-castin aluminous alloy with excellen heat dissipation to promise the longer lifetime. 3.Intergrated lens to offer good lighting distribution.

APPLICATION

Family, factory, warehosue, school ,hotel, market etc.



FEATURES



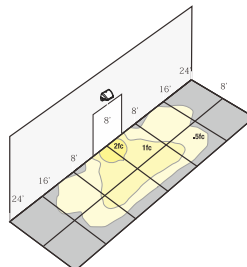
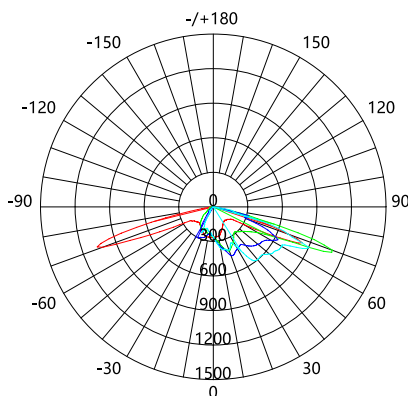
WET

- Die-casting shell brings prefect heat dissipation, Simple&perfect appearance.
- Adopt the intergrated lens to improve the luminous efficacy and offer perfect light distribution High-class LED chip to ensure
- good reliability and consistency.
- All adopt superior stainless steel nuts. Aluminum PCB with high thermal conductivity as chip carrier for faster cooling.
- Back up unit is optional and can work as Emergency light..
- Die-casting aluminum body,outer surface with spray paint treatment,elegant appearance and excellent heat dissipation.
- Long life,low thermal resistance and low power.
- Used design of US general junction box,easy operating.
- Suitable for wet location.
- BBU, Photocell and motion sensor is optional.



Junction box

PHOTOMETRICS

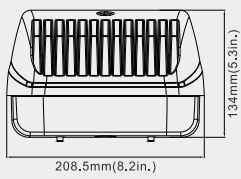


产品系列	3000-5700K	
	额定功率 (W)	输送流明 (lm)
LEDBG001-60W30	60±5%	7200
LEDBG001-80W40	80±5%	9600
LEDBG001-100W44	100±5%	12000
LEDBG001-120W55	120±5%	14400

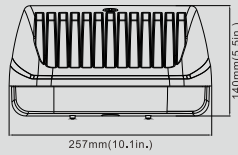
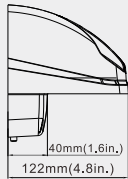
LED WALL PACK LIGHT 001/001B SERIES

DIMENSIONS

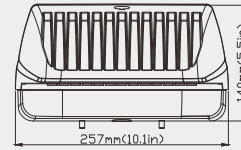
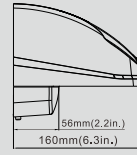
BG001B ▼



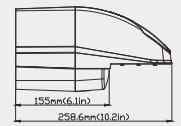
15W、20W、24W



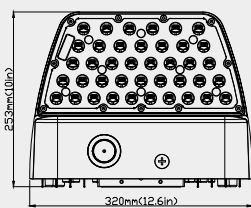
30W、42W



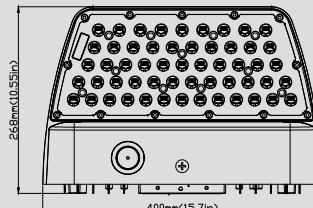
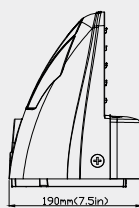
lampstand 30W、42W



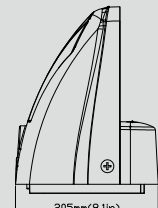
BG001 ▼



60W、80W



100W、120W

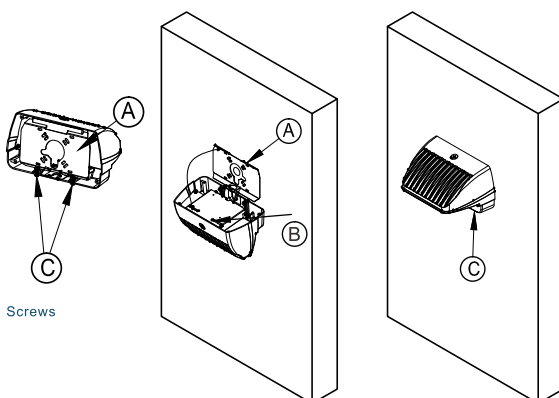


LED Wall Pack light Parameter table-DLC Premium

Item description	LEDBG15W001B	LEDBG20W001B	LEDBG24W001B	LEDBG30W001B	LEDBG42W001B	LEDBG001-60W30	LEDBG001-80W40	LEDBG001-100W44	LEDBG001-120W55
Dimensions [mm]	209*134*122(L*W*H)			257*140*160(L*W*H)		320*190*253(L*W*H)		400*205*268(L*W*H)	
Input voltage [VAC]	100-277VAC								
Input frequency [HZ]	50/60								
Input current [A]	0.15 (100V)	0.2 (100V)	0.24 (100V)	0.3 (100V)	0.42 (100V)	0.6 (100V)	0.8 (100V)	1.0(100V)	1.2(100V)
Input wattage [W]	15±5%	20±5%	24±5%	30±5%	42±5%	60±5%	80±5%	100±5%	120±5%
Power factor	>0.9	>0.9	>0.95	>0.9	>0.95	≥0.95@220V			
Input voltage [V]	18	24	30	36	27	30	30	33	33
Input current [A]	0.7	0.7	0.7	0.7	1.4	1.76	2.4	2.73	3.27
Input wattage [W]	10.5±5%	12.6±5%	16.8±5%	21±5%	37.8±5%	53±5%	72±5%	90±5%	109±5%
Power efficiency	≥80%	≥83%	≥86%	≥87%	≥89%	88%	90%		90%
Luminous flux [Lm]	1350	1800	2160	2700	3780	7200	9600	12000	14400
Colour temperature [K]	2700-5700K				3000-5700				
Colour rendering index [Ra]	≥70								
Lumen maintenance(2000h) [%]	L90 > 36000h								
Average life [h]	>54000								
Net weight [Kg]	1.65/ (set)	1.65/ (set)	1.65/ (set)	2.46/ (set)	2.46/ (set)	5.2/set	5.3/set	7.0/set	7.0/set
Gross weight [Kg]	2.1/ (set)	2.1/ (set)	2.1/ (set)	3.1/ (set)	3.1/ (set)	6.0/set	6.1/set	8.0/set	8.0/set
work environment	WET								
LED chip	6	8	10	12	18				
Ambient Temperature [°C]	-25°-45°								
Emergency wattage	3-15W Options								
Emergency time	≥90min								

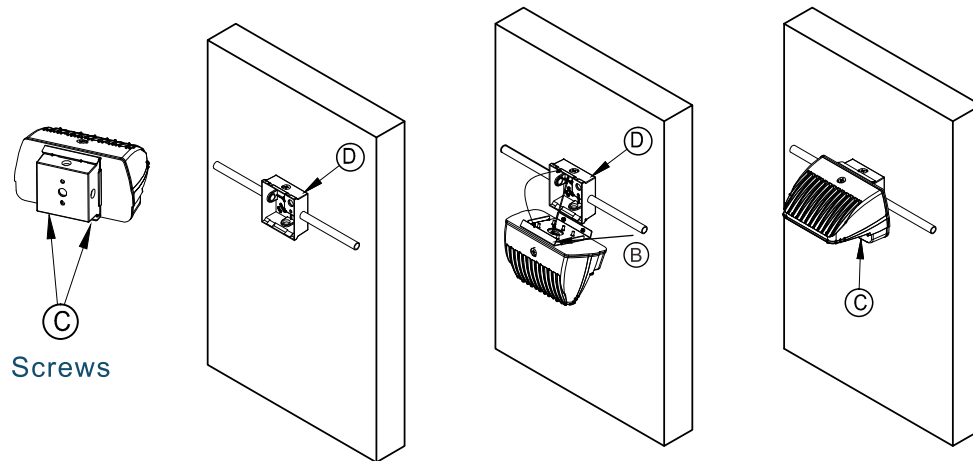
INSTALLATION

BG001 INSTALLATION 1 15W-42W Surface mounting1



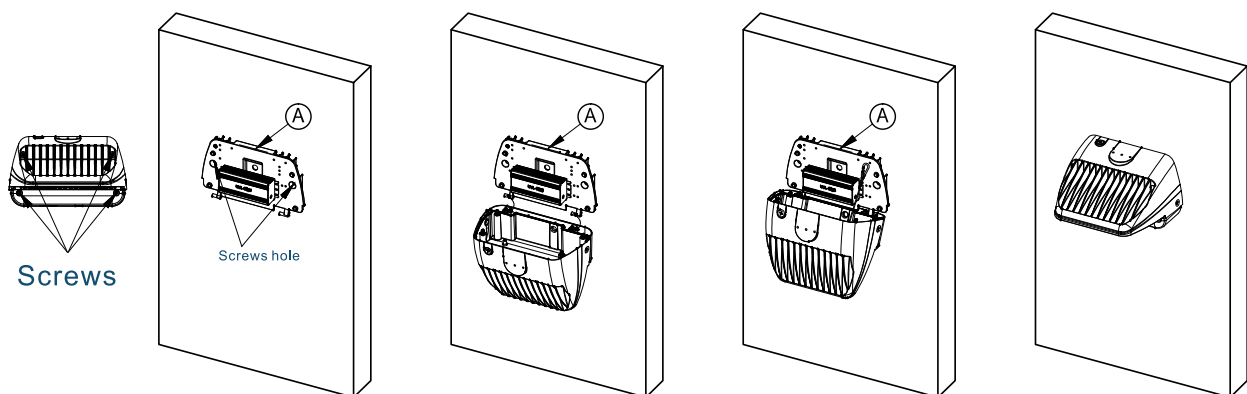
1. Take off the plate A from the luminaire and fix the plate A on the surface of the building with screws.
2. Connect the luminaire to the plate A with hook, then connect to supply source.
3. Fix the luminaire to the plate A at part B. 4. Fix the luminaire with screws at the bottom.

BG001 INSTALLATION 2 15W-42W Junction box Mounting



1. Take off junction box(D) from the luminaire and fix the box to the surface of building with screws.
2. Hang the luminaire on the junction box with hook and connect to the supply source.
3. Fix the luminaire to the junction box with screws as FIG shown.
4. Fix the luminaire with screws at the bottom as FIG shown.

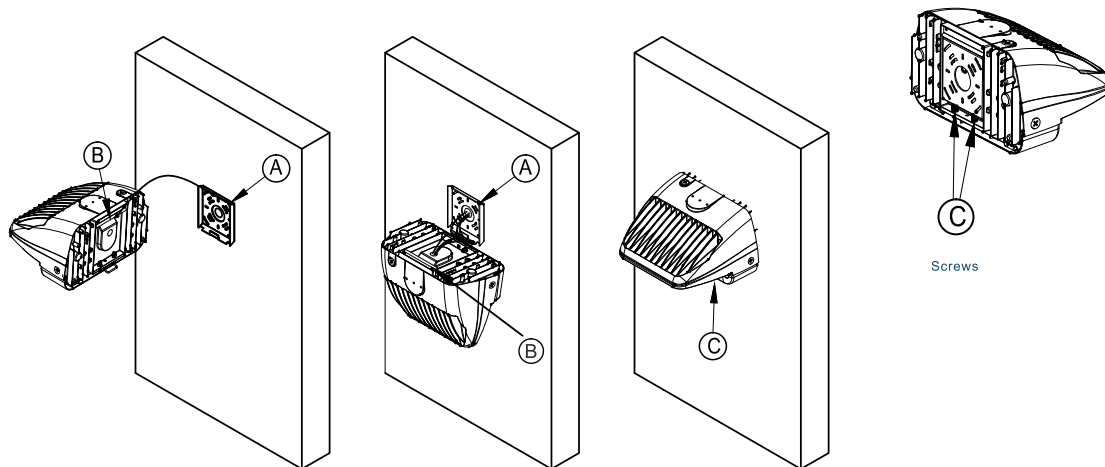
BG001 INSTALLATION 3 60W-120W Surface mounting 2



1. Remove the screws and open the fixture, then disconnect the supply source and grounded wires, then take off the spring buckle on the one side of the chain at the bottom.
2. Remove part A from the fixture, and punch the mounting hole on part A.
3. Fasten part A to the wall and connect the supply source.
4. Join part A to the fixture through the holes on the fixture.

BG001 INSTALLATION 4

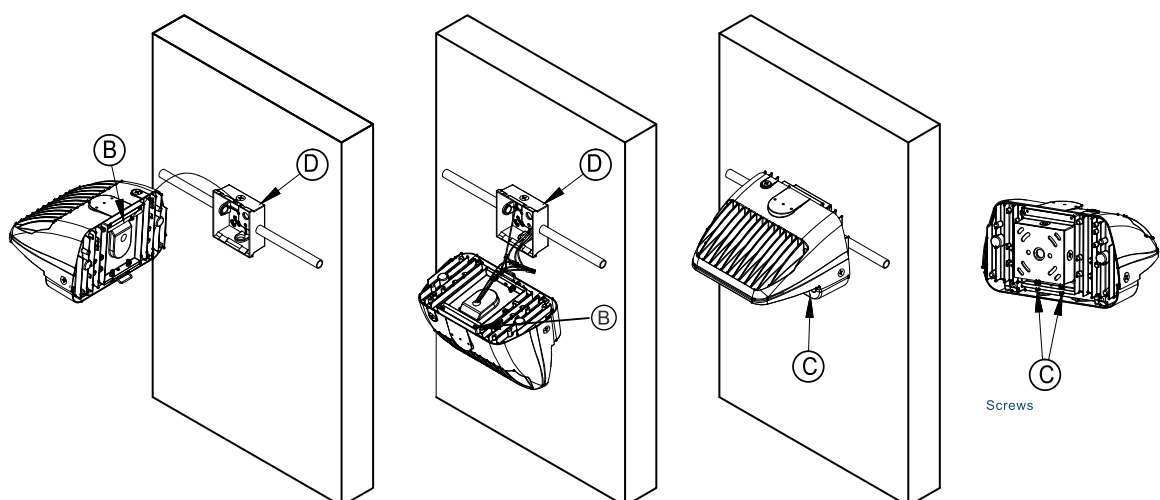
60W-120W Surface mounting¹



1. Take off the plate A from the luminaire and fix the plate A on the surface of the building with screws.
2. Connect the luminaire to the plate A with hook, then connect to supply source.
3. Fix the luminaire to the plate A at part B.
4. Fix the luminaire with screws at the bottom.

BG001 INSTALLATION 5

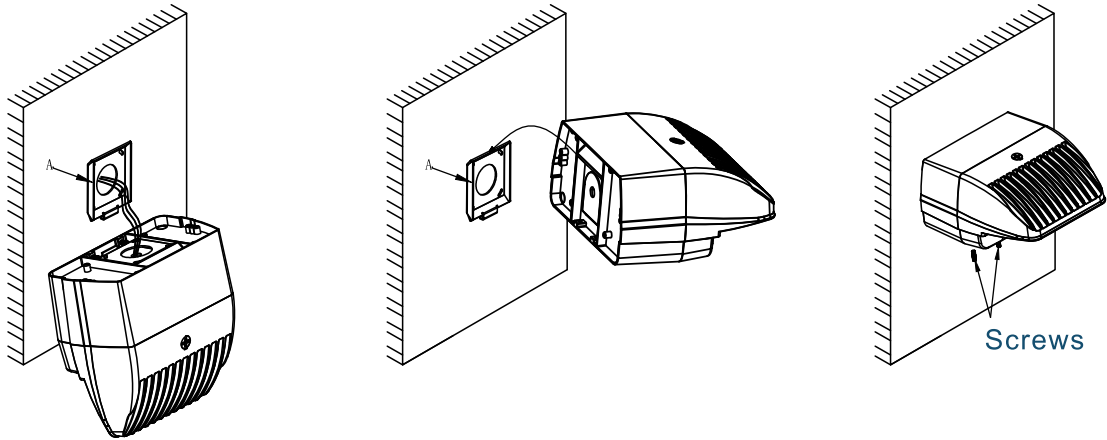
60W-120W Junction box Mounting



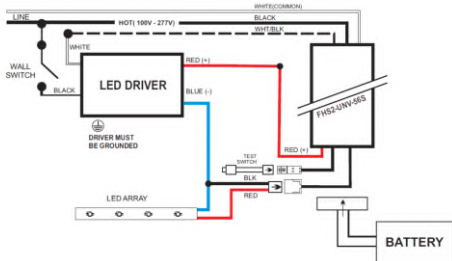
1. Take off junction box(D) from the luminaire and fix the box to the surface of building with screws.
2. Hang the luminaire on the junction box with hook and connect to the supply source.
3. Fix the luminaire to the junction box with screws as FIG shown.
4. Fix the luminaire with screws at the bottom as FIG shown

LED WALL PACK LIGHT 001/001B SERIES

BG001 INSTALLATION 6 15W-120W Surface mounting (Sensor and emergency function)

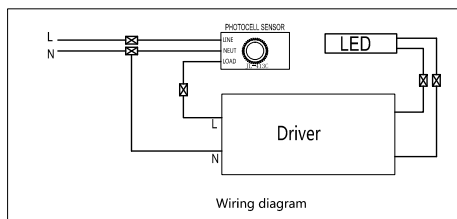
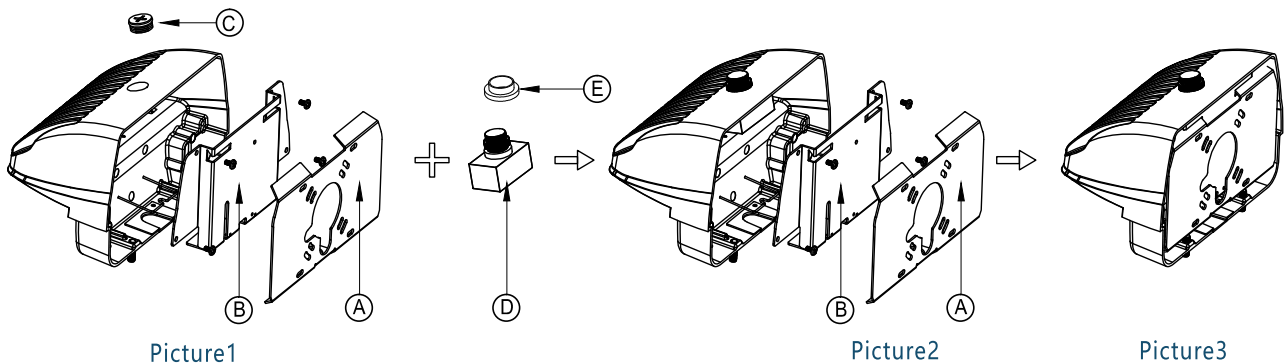


1. Take off the plate A from the luminaire and fix the plate A on the surface of the building with screws.
2. Then connect to supply source.
3. Fix the luminaire to the plate A as FIG shown.
4. Fix the luminaire with screws at the bottom as FIG shown.



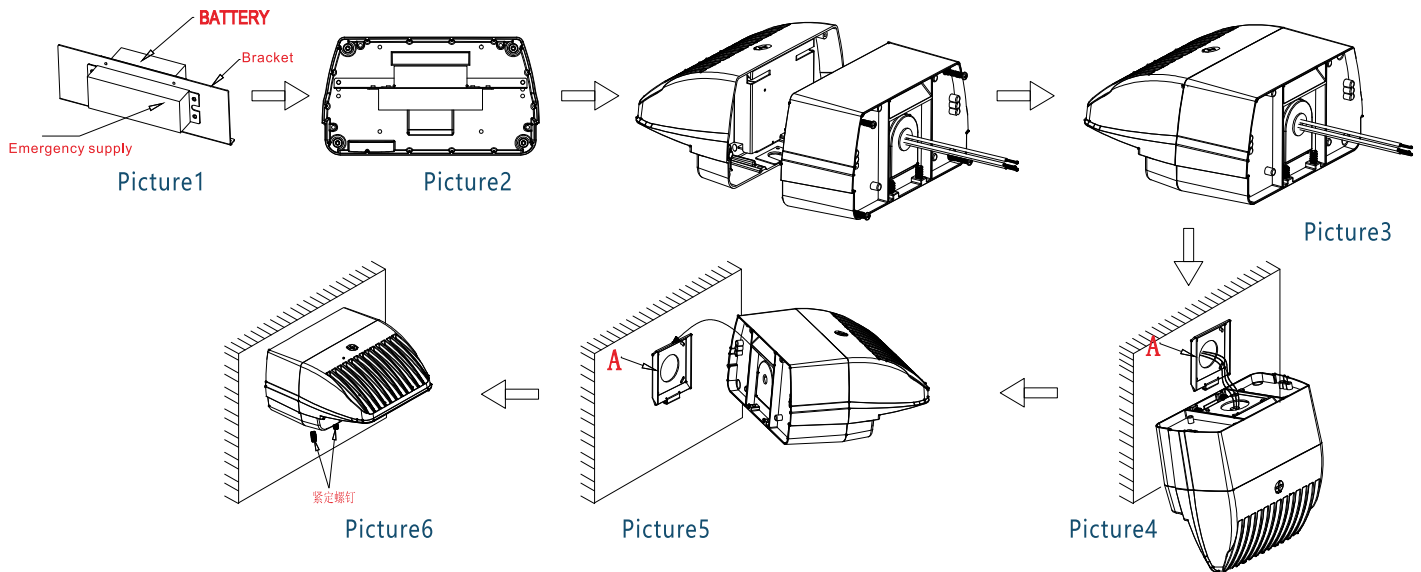
Attention: 1. Need connect four input wires when wiring. Connect one L wire to the lamp input, One L wire is connected to the emergency input, one is connected to the N wire and one is connected to E wire. The emergency L wire should be opened normally to ensure that the emergency battery can be charged for a long time. Please refer to the following wiring diagram.
2. Battery and emergency power connection have been disconnected before leaving the factory. Must be reconnected when using

PHOTOCELL SENSOR MOUNTING 15W-120W



1. Take off plate A and B, then remove screw C (Figure 1).
2. Unscrew the nut and seal of photocell, fix silicone sealing ring E to the position where screw C was removed, then screw the seal and nut (Figure 2).
3. Connect the wires according to the wiring diagram 4.
4. Fix plate B first, then fix the plate A (Figure 3).

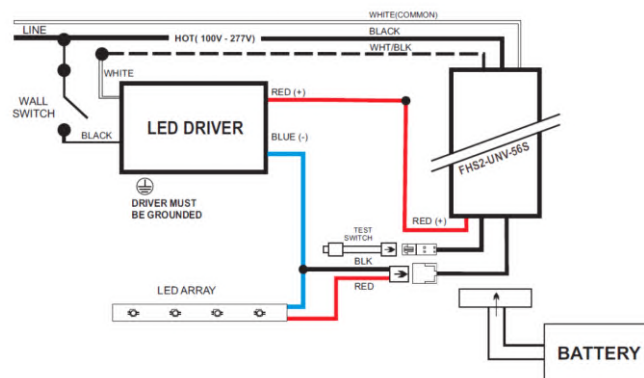
EMERGENCY MOUNTING



1. Fix the power supply and emergency drive to the bracket first (Figure 1), and then fix the bracket to the back of lamp (Figure 2).
2. Connect the wire according to the wiring diagram and fix the emergency part with sealing ring to the luminaire (Figure 3).
3. Fix the plate A on the surface of the building with screws(Figure 4) and fix the luminaire to the plate A(Figure 5).
4. Fix the luminaire with screws at the bottom(Figure 6).

Attention: 1. Need connect four input wires when wiring. Connect one L wire to the lamp input, One L wire is connected to the emergency input, one is connected to the N wire and one is connected to E wire. The emergency L wire should be opened normally to ensure that the emergency battery can be charged for a long time. Please refer to the following wiring diagram.

2. Battery and emergency power connection have been disconnected before leaving the factory. Must be reconnected when using



⚠️ WARNING!

1. When the lamp input terminal is connected, the grounding wire must be connected to avoid the lamp early failure and electricity safety.
2. When the ambient temperature is lower than -40°C , the lamp will be affected. When the ambient temperature is higher than 50°C , the working life of the lamp power supply will be shortened, and the pearl light decline of LED lamp will accelerate.
3. Must power off during the maintenance operation, and keep following the safe operation mode.